

# LD56 RGB



Low Glare Exterior Colour Change LED Uplighter

Data sheet



Product: LD151 RGBW  
Project: Buddha Bar  
Design: Into Lighting

This is a very tough, compact, in-ground RGB LED uplighter. A slightly longer body than the single colour LD56, it features the latest tri chip LED technology offering increased output and efficiencies. The single optic offers good colour mixing and no multiple shadows.

## Key Features

- Recessed LED and optic for low glare
- Single LED optic allows colours to mix at the source, with smoother RGB changing and no multiple shadows
- Fixing options include spring fixing clips, O-rings, first fix sleeve & a ground tube
- Range of bezel finishes
- Not designed for permanent submersion
- Available with 0-10V, DMX or Dali drivers

Design tip: The 30° medium beam optic is the best for colour mixing. The narrow 12° can be used if the lighting scheme does not involve mixing of the RGB to create a colour, or if the surface being washed is a reasonable distance away allowing the colour to mix.

## Specification

### Applications



Beam Angles	12° Narrow and 30° Medium
LED type	1 x RGB Tri chip
Current	350mA
LED power (Max)	3.6W*
Forward voltage (Max)	9V
LED lifetime (to 70% lumen maintenance)	50,000hrs at a max ambient temperature of 35°C
Glass	5mm thick borosilicate
Materials	Black anodised aluminium body, Machine finish 316 stainless steel bezel (other options available)
Wiring	Comes pre-wired with 6 core 200mm lead. Can be specified with up to 10m at extra cost.
IP rating	IP68 - Not for permanent submersion (for permanent submersion please use LD242A RGB)

\*LED wattage includes losses associated with using an 85% efficient driver



# LD56 RGB



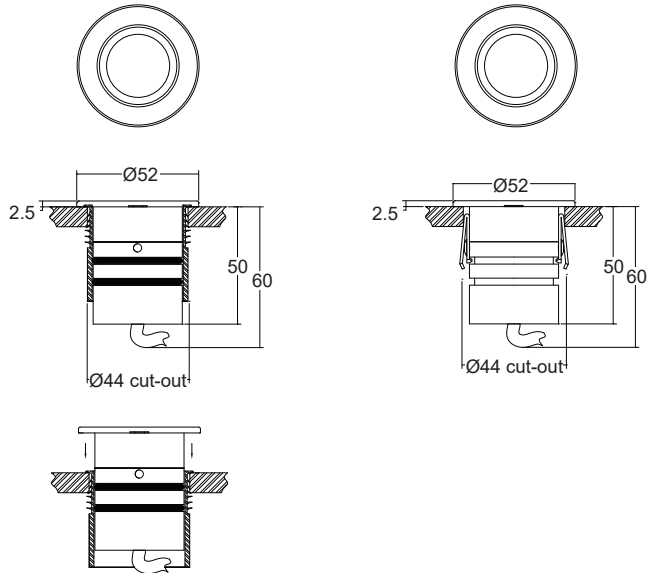
Low Glare Exterior Colour Change LED Uplighter

Data sheet

## Dimensions and Fixing Options

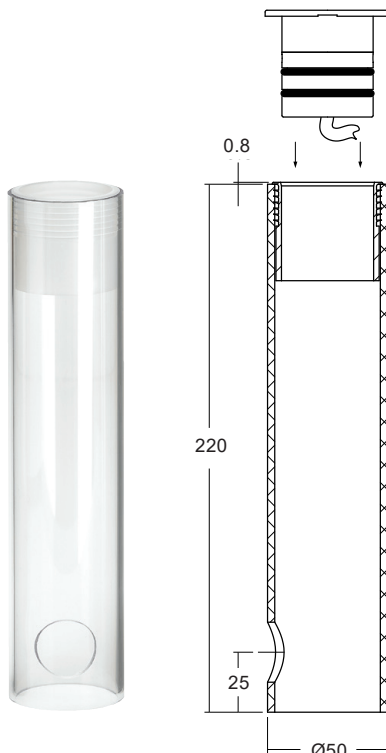
**/476** - 'O' rings and sleeve

**/SC** - Spring clip fixing



**/476GT** - Ground tube

The in-ground tube has been designed for applications where a recessed uplighter is required in soil or gravel surfaces. The tube can be buried with the necessary wiring, and then the fitting installed after the landscaping work has been completed. It is supplied with the fixing sleeve bonded into the tube, and can be cut down on site.



## Order Codes and Options

Product code	Lens angle	Bezel finish	Fixing Option
LD56 RGB	<input type="text"/>	<input type="text"/>	<input type="text"/>

Example: LD56-RGB / MB / Stainless Steel / 476

### Beam / lens angle options

12° Narrow spot	/NB
30° Medium (best RGB colour mixing performance)	/MB

### Bezel finish options

Stainless steel 316  
 Paint finish white / black / RAL  
 Polished and passivated stainless steel (for marine environments)  
 Antique Bronze (flamed solid bronze)

### Fixing option

Spring clips	/SC
O-rings and sleeve	/476
Ground tube	/476GT

### Use with 350mA constant current LED drivers

To run between 2-13 LD56 RGBs use our 4 channel TXDEL4A350DMX driver. 0-10V and Dali drivers are available. For our complete range of LED drivers please download the data sheet from the downloads section at [www.lightgraphix.co.uk](http://www.lightgraphix.co.uk)